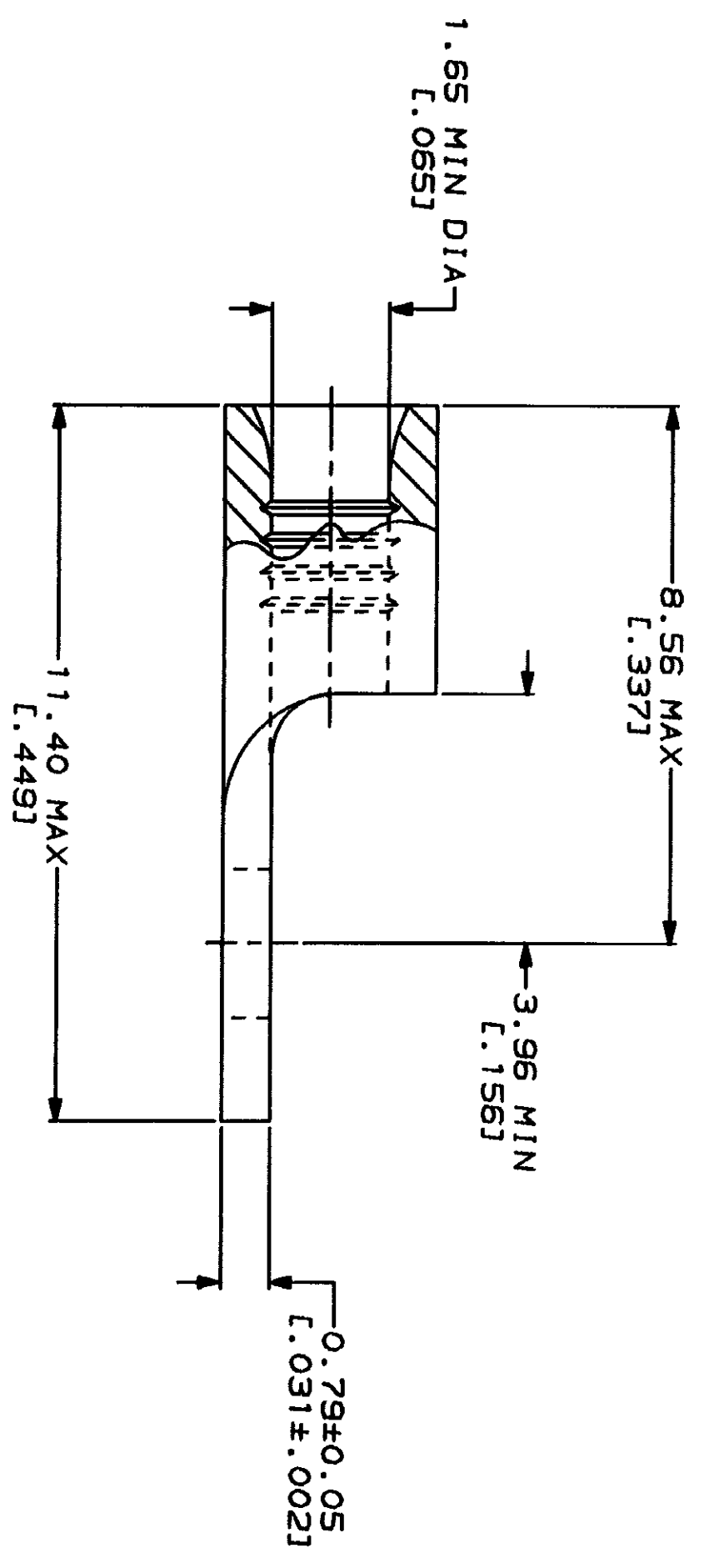
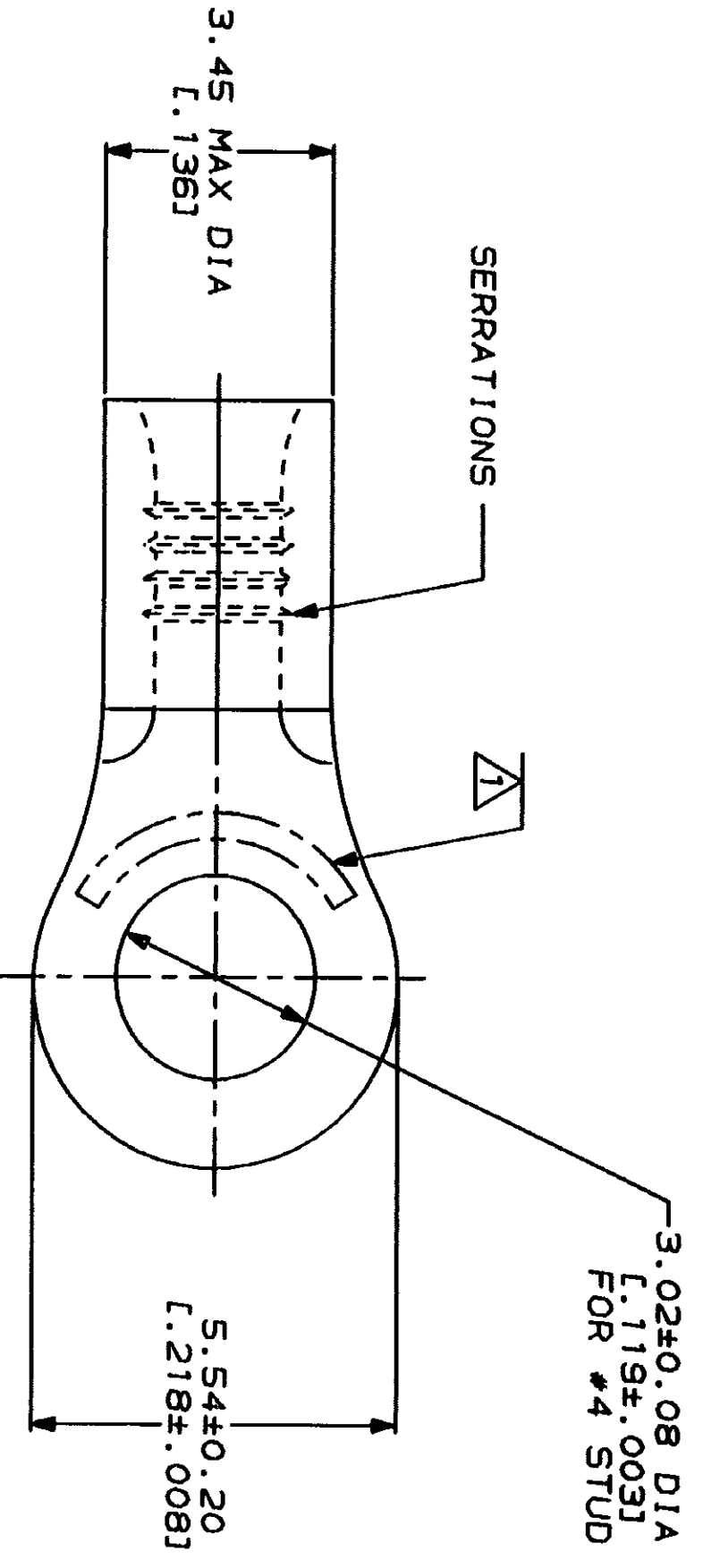


LOC	DIST	ZONE	LTR	DESCRIPTION	DATE	APPD
G	14			REVISED PER 0720-0230-93	2/28/94	JAW

METPRIG
DIMENSIONS LISTED IN mm [INCHES]

AMP WIRE RANGE 22-16 AWG STRAINED	UL E13298 Listed
LR7189 Certified	MILITARY P/N AND CLASS
NOT CERTIFIED	NOT APPLICABLE

△ STAMP AMP 22-18* APPROX AS SHOWN
22-16 TERMINALS ARE STAMPED 22-18 IN
ACCORDANCE WITH MILITARY SPECIFICATION
MIL-T-7928, COMMERCIAL WIRE RANGE IS 22-16



AMP INCORPORATED
CUSTOMER SERVICE SYSTEMS

FOR ADDITIONAL PRODUCT INFORMATION OR COPIES OF DRAWINGS AND TECHNICAL DOCUMENTS
PRODUCT INFORMATION CENTER
1-800-522-6752

FOR APPLICATION TOOLING INFORMATION
TOOLING ASSISTANCE CENTER
1-800-722-1111

FOR ORDER ENTRY
1-800-526-5142

MAX RECOMMENDED OPERATING TEMPERATURE: 170°C MAX

VOLTAGE RATING: NOT APPLICABLE

WIRE CROSS SECTIONAL AREA RANGE: 0.26-1.65mm² (S09-3,260) CIR MILS STRANDED

FINISH: TIN PLATE
0.00254[L.000100] MIN THK PER MIL-T-10727

DR 3-2-93 TA BRINKMAN	NAME
CHK 3-2-93 DA PATTERSON	AMP Incorporated Harrisburg, PA 17105-3608
APPD 3-2-93 DE MILLER	TERMINAL, RING TONGUE, BUDGET
APPD 3-2-93 JL HECKLEY	
PRODUCT SPEC	
APPLICATION SPEC	

5000	ON TAPE	3-31089-6
---	LOOSE PIECE	31089
QUANTITY	PACKAGE TYPE	PART NO

SIZE	CAGE CODE	DRAWING NO
SCALE 10:1	00779	31089
WEIGHT		SHEET
		1 OF 1